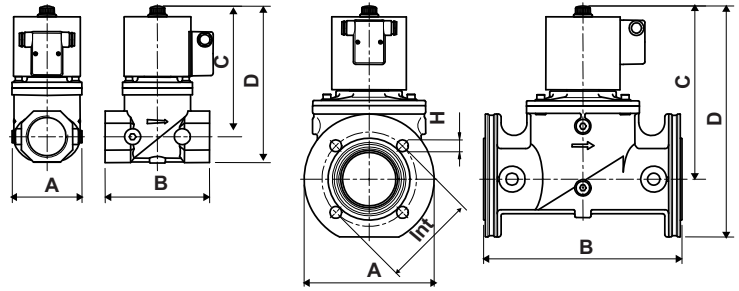


# ZDEV

## Electromagnetic safety valves for air and gas

Normally closed electromagnetic safety valves with quickly opening for air and non-aggressive gases (according to EN437).



■ ZDEV...10 ÷ 50

■ ZDEV...65 ÷ 100

DN	A	B	C	D	Int	h
10	30	58	95	110	-	-
15	30	58	95	110	-	-
20	88	96	150	164	-	-
25	88	96	150	164	-	-
32	120	153	188	220	-	-
40	120	153	188	220	-	-
50	106	156	192	230	145	4x18
65	200	305	266	355	160	8x18
80	200	305	266	355	160	8x18
100	252	350	352	492	180	8x18

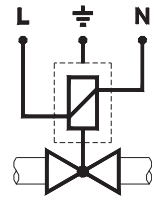
	Connection type	Passage DN	Power supply	Body	Maximum pressure mbar	Absorption W	Unit weight Kg
ZDEV10	threaded RP 3/8	10	230Vac 50/60Hz	brass	200	16	0,4
ZDEV15	threaded RP 1/2	15	230Vac 50/60Hz	brass	200	16	0,4
ZDEV20A	threaded RP 3/4	20	230Vac 50/60Hz	aluminum	500	45	2,5
ZDEV25A	threaded RP 1	25	230Vac 50/60Hz	aluminum	500	45	2,5
ZDEV32A	threaded RP 1 1/4	32	230Vac 50/60Hz	aluminum	500	20/80*	5,7
ZDEV40A	threaded RP 1 1/2	40	230Vac 50/60Hz	aluminum	500	20/80*	5,7
ZDEV50A	threaded RP 2	50	230Vac 50/60Hz	aluminum	500	20/80*	6
ZDEVRF65	flanged DN 65	65	230Vac 50/60Hz	aluminum	200	45/180*	6
ZDEVRF80	flanged DN 80	80	230Vac 50/60Hz	aluminum	200	45/180*	14
ZDEVRF100	flanged DN 100	100	230Vac 50/60Hz	aluminum	200	45/180*	36
ZDEV10F	threaded RP 3/8	10	24Vac/dc	brass	200	16	0,4
ZDEV15F	threaded RP 1/2	15	24Vac/dc	brass	200	16	0,4
ZDEV20F	threaded RP 3/4	20	24Vac/dc	aluminum	200	45	2,5
ZDEV25F	threaded RP 1	25	24Vac/dc	aluminum	200	45	2,5
ZDEV32F	threaded RP 1 1/4	32	24Vac/dc	aluminum	200	20/80*	5,7
ZDEV40F	threaded RP 1 1/2	40	24Vac/dc	aluminum	200	20/80*	5,7
ZDEV50F	threaded RP 2	50	24Vac/dc	aluminum	200	20/80*	6
ZDEVRF65F	flanged DN 65	65	24Vac/dc	aluminum	200	45/180*	6
ZDEVRF80F	flanged DN 80	80	24Vac/dc	aluminum	200	45/180*	14
ZDEVRF100F	flanged DN 100	100	24Vac/dc	aluminum	200	45/180*	36

\* operating/on opening

# ELECTRICAL CHARACTERISTICS

Rated voltage: 230Vac - 50/60Hz or 24Vac/dc

Upon request valves are available with coils for the following voltages: 12V AC/DC



# STANDARDS AND APPROVALS

Complies with 90/396/CEE (VMR-0063AQ1350), 73/23/CEE, 89/336/CEE standards



# INSTALLATION

Check the correspondence between flow direction and the arrow printed on valve body, verify the correct alignment of connecting pipes and allow enough space from the walls to allow free air circulation.

You should always install a filter before valve inlet (open <1 mm).

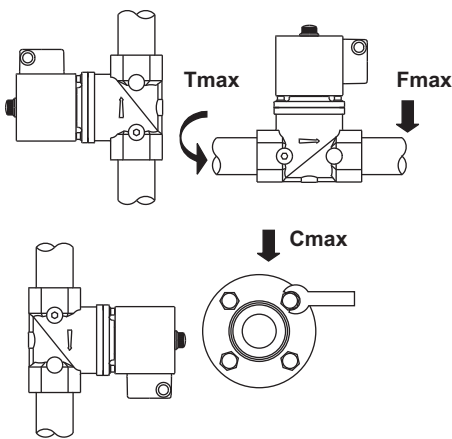
The valve may be mounted with coil in horizontal or vertical position. The coil may be oriented 360 degrees in any direction.

Install the valve in an area protected from rain and water splashes or drops.

Remove coil fastening cap, turn on the adjustment screw under the locking dowel.

The flow rate is adjustable from 0 m<sup>3</sup>/h to the maximum indicated on the plate (except the models in brass and 4").

It is recommended to make the flow adjustments while the burner is in operation and when the adjustment is completed screw back the locking dowel. Adjustments below 40% of the flow are unadvisable since they may cause turbulence.



MODEL	Fmax t<10S (Nm)	Tmax (Nm)	Cmax (Nm)
ZDEV10..	70	35	-
ZDEV15..	105	50	-
ZDEV20..	225	85	-
ZDEV25..	340	125	-
ZDEV32..	475	160	-
ZDEV40..	610	200	-
ZDEV50..	1100	250	-
ZDEV65..	1600	-	50
ZDEV80..	2400	-	50
ZDEV100..	5000	-	50

# OPERATION

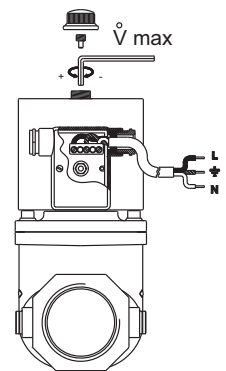
Fast opening gas safety electromagnetic valve that is normally closed.

When it is not energized, the spring works on the shutter keeping the gas passage closed.

When the coil is feed the valve opens.

When the power supply is interrupted the valve rapidly closes.

This device is suitable for gas and air blocking and regulation commands in burners at atmospheric pressure or fan-assisted burners, in industrial ovens and in all applications which use gas solenoid valves (suitable for continuous service - 100% ED).



# TECHNICAL FEATURES

Voltage tolerance: -15% / +10%.

Environment temperature: -15°C / +60°C.

Closing time < 1 second.

Protection degree: IP54.

Cable gland: PG 9.

Pressure inlets: G1/4" on two sides (except models with brass body).

Gas type: Air and non-aggressive gases (EN 437).

Filter: 600 µm (except models with brass body).

Limit switch: by request from 3/4" to 4".

Possibility to connect a pressure gauge to monitor gas pressure (except models with brass body).