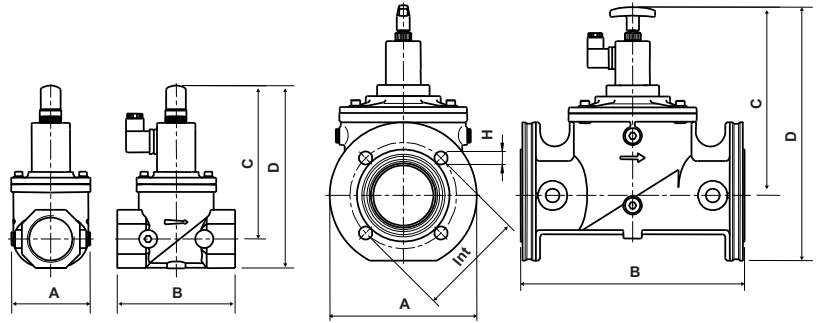


ZD..NC

Normally closed electromagnetic safety valves with manual reset

Normally closed electromagnetic safety valves for air and non-aggressive gases (according to EN437) with manual reset.



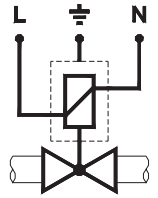
| DN | A | B | C | D | Int | h |
|--------|-----|-----|-----|-----|-----|------|
| DN15 | 30 | 58 | 115 | 130 | - | - |
| DN20 | 35 | 55 | 113 | 130 | - | - |
| DN25 | 40 | 62 | 115 | 137 | - | - |
| DN32 | 120 | 153 | 202 | 234 | - | - |
| DN40 | 120 | 153 | 202 | 234 | - | - |
| DN 50 | 106 | 156 | 206 | 244 | - | - |
| DN 65 | 200 | 305 | 262 | 352 | 145 | 4x18 |
| DN 80 | 200 | 305 | 262 | 352 | 160 | 8x18 |
| DN 100 | 252 | 350 | 305 | 405 | 180 | 8x18 |

| | Connection type | Passage DN | Power supply | Body | Maximum pressure mbar | Absorption W | Unit weight Kg |
|---------------|-------------------|------------|----------------|----------|-----------------------|--------------|----------------|
| ZDVGRM15NC | threaded RP 1/2 | 15 | 230Vac 50/60Hz | brass | 500 | 8 | 0,4 |
| ZDVGRM20NC | threaded RP 3/4 | 20 | 230Vac 50/60Hz | brass | 500 | 8 | 0,7 |
| ZDVGRM25NC | threaded RP 1 | 25 | 230Vac 50/60Hz | brass | 500 | 8 | 2 |
| ZDEVRM32NC | threaded RP 1 1/4 | 32 | 230Vac 50/60Hz | aluminum | 500 | 12 | 2 |
| ZDEVRM40NC | threaded RP 1 1/2 | 40 | 230Vac 50/60Hz | aluminum | 500 | 12 | 2,3 |
| ZDEVRM50NC | threaded RP 2 | 50 | 230Vac 50/60Hz | aluminum | 500 | 12 | 7,6 |
| ZDEVRMF65NC | flanged DN 65 | 65 | 230Vac 50/60Hz | aluminum | 500 | 12 | 7,6 |
| ZDEVRMF80NC | flanged DN 80 | 80 | 230Vac 50/60Hz | aluminum | 500 | 12 | 17 |
| ZDEVRMF100NC | flanged DN 100 | 100 | 230Vac 50/60Hz | aluminum | 500 | 45 | 16 |
| ZDVGRM15NCF | threaded RP 1/2 | 15 | 24Vac/dc | brass | 500 | 8 | 0,4 |
| ZDVGRM20NCF | threaded RP 3/4 | 20 | 24Vac/dc | brass | 500 | 8 | 0,7 |
| ZDVGRM25NCF | threaded RP 1 | 25 | 24Vac/dc | brass | 500 | 8 | 2 |
| ZDEVRM32NCF | threaded RP 1 1/4 | 32 | 24Vac/dc | aluminum | 500 | 12 | 2 |
| ZDEVRM40NCF | threaded RP 1 1/2 | 40 | 24Vac/dc | aluminum | 500 | 12 | 2,3 |
| ZDEVRM50NCF | threaded RP 2 | 50 | 24Vac/dc | aluminum | 500 | 12 | 7,6 |
| ZDEVRMF65NCF | flanged DN 65 | 65 | 24Vac/dc | aluminum | 500 | 12 | 7,6 |
| ZDEVRMF80NCF | flanged DN 80 | 80 | 24Vac/dc | aluminum | 500 | 12 | 17 |
| ZDEVRMF100NCF | flanged DN 100 | 100 | 24Vac/dc | aluminum | 500 | 45 | 16 |

ELECTRICAL CHARACTERISTICS

Rated voltage: 230Vac - 50/60Hz or 24Vac/dc

Upon request valves are available with coils for the following voltages: 12V AC/DC



STANDARDS AND APPROVALS

Complies with 73/23/CEE; 89/336/CEE standards



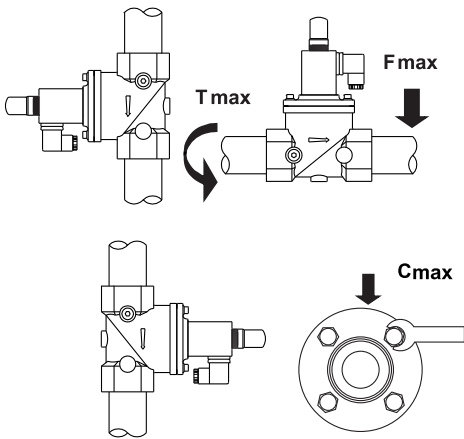
INSTALLATION

Check the correspondence between flow direction and the arrow printed on valve body, verify the correct alignment of connecting pipes and allow enough space from the walls to allow free air circulation.

The valve may be mounted with coil in horizontal or vertical position. The coil may be oriented 360 degrees in any direction.

Install the valve in an area protected from rain and water splashes or drops.

For electrical connection remove the cap of the plug and connect power cables to circuit clamps.



| MODEL | Fmax t<10S (Nm) | Tmax (Nm) | Cmax (Nm) |
|---------------|-----------------|-----------|-----------|
| ZDVGRM15... | 105 | 50 | - |
| ZDVGRM20... | 225 | 85 | - |
| ZDVGRM25... | 340 | 125 | - |
| ZDVGRM32... | 475 | 160 | - |
| ZDVGRM40... | 610 | 200 | - |
| ZDVGRM50... | 1100 | 250 | - |
| ZDVGRMF65... | 1600 | - | 50 |
| ZDVGRMF80... | 2400 | - | 50 |
| ZDVGRMF100... | 5000 | - | 50 |

OPERATION

Normally closed gas safety valve with manual reset.

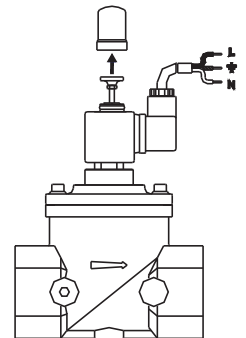
When isn't in working position, the spring acts on the shutter keeping the gas passage closed. Simply by energizing the coil the valve does not open.

It is necessary to manually move the reset rod located on the top of the coil. Once opened, the valve can maintain this state until the electric current circulates through the coil.

In absence of electric current the valve closes rapidly and remains shut off when the power supply returns.

Once the cause of stoppagee has been eliminated, the valve must be opened manually, as described above.

This type of device, used with one or more pressure switch(es) is suitable for shutting off when there is no gas, air, or current and is suitable for continuous service (always live).



TECHNICAL FEATURES

Voltage tolerance: -15% / +10%.

Environment temperature: -15°C / +60°C.

Working pressure: 500 mbar Max.

Closing time < 1 second.

Protection degree: IP65.

Cable gland: PG 9.

Pressure inlets: G1/4" on two sides (except models with brass body).

Limit switch: by request from 3/4" to 4".

Gas type: Air and non-aggressive gases (EN 437).

Filter: 600 µm (except models with brass body).